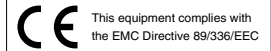


Weather Proof  
Super Dynamic II Colour Cameras  
with Low-Light B/W Mode

## WV-CW370 Series

WV-CW370 (AC220V - 240V)

WV-CW374 (AC24V or DC12V)



**IP66**  
standard

**VD2**  
Sync Compatible



**SDII**  
Super Dynamic



IMAGE CAPTURE

TRANSMISSION

PROCESSING

RECORDING/ARCHIVING

VIEWING

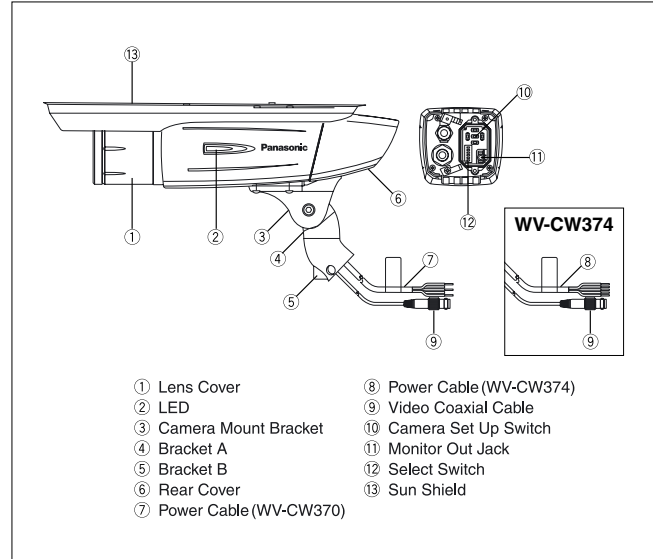
### KEY FEATURES

- All weather proof environmental structure.
- Streamline shaped colour cameras.
- IP66 standard approved for outdoor application.
- Built-in heater function for varying temperature.
- **Super Dynamic II** technology delivers 80x wider dynamic range.
- Switches from selected colour mode to B/W mode, automatically or manually.
- 510-line horizontal resolution (at High mode).
- Super sensitivity of 1.0 lux in colour mode, and 0.15 lux in B/W mode.
- Built-in 8x variable-focal lens (5.0-40.0mm)
- Digital motion detector
- 16-alphanumeric character display.
- Signal to noise ratio of 50dB
- Electronic shutter from 1/50 (off) to 1/10,000 sec.
- Electronic sensitivity enhancement
- VD2 sync capability with Panasonic system products.
- Accepts both 24V AC or 12V DC power source in a WV-CW374

### SPECIFICATIONS

Model No.	WV-CW370	WV-CW374
Pick-up Device	752 (H) x 582 (V) pixels, interline transfer CCD	
Scanning Area	4.86 (H) x 3.62 (V) mm	
Scanning	625 lines / 50 fields / 25 frames Horizontal: 15.625 kHz, Vertical: 50 Hz	
Scanning System	2 : 1 interlace	
Synchronization	Internal / Line lock (220V - 240V AC / 24V AC) / VD2 lock	
Video Output	1.0V[p-p] PAL composite / 75 Ω	
Horizontal Resolution	510 lines colour imaging (at high mode ) 480 lines colour imaging (at normal mode) 570 lines B/W imaging	
S/N Ratio	50dB (min.) <luminance S/N> (at AGC ON, weight ON)	
Mini. Illumination (at F1.4)	1.0 lux at colour imaging, 0.15 lux at B/W imaging	
AGC	Selectable ON (High/Mid/Low) (DNR-L/DNR-H) and OFF	
White Balance	Selectable ATW1/ATW2 and AWC (SET UP MENU) (ATW1:NORMAL MDOE, ATW2:SODIUM LIGHT MODE)	
Aperture	Variable (SET UP MENU)	
Electronic Light Control	Equivalent to continuous variable shutter speed between 1/50s and 1/10,000s	
Dynamic Range	48dB typical	
ALC Lens	DC	
Character Generator	ON SCREEN SET UP MENU, CAMERA ID	
Lens Type	8x variable focal lens	
Focal Length	5.0 - 40.0 mm	
Aperture Ratio	1:1.6 (Wide) to 176, F1.9 (Tele) to 176, close	
Min. Object Distance	1.2 m (3.9 fc) - ∞	
DIP SW	(1) SYNC Switch: INT/LL (2) Upside down Switch: ON/OFF (3) Aperture Switch: SOFT/SHARP (4) Day/Night Switch: AUTO/COLOUR FIX (5) B/W Level: High/Low (6) LED: ON/OFF	
Heater	Heater ON (under 10°C)	
Ambient Operating Temperature	-30°C - +50°C	
Ambient Operating Humidity	Less than 90 %	
Power Source	220 V - 240 V AC 50 Hz	24 V AC 50 Hz, or 12 V DC
Power Consumption	13 W	3.7 W (at 24 V AC), 365 mA (at 12 V DC)
Dimensions (W x H x D)	82 x 78 x 351 mm (without bracket)	
Weight	1.5 kg	1.4 kg

### MAJOR OPERATING CONTROLS



### DIMENSIONS

